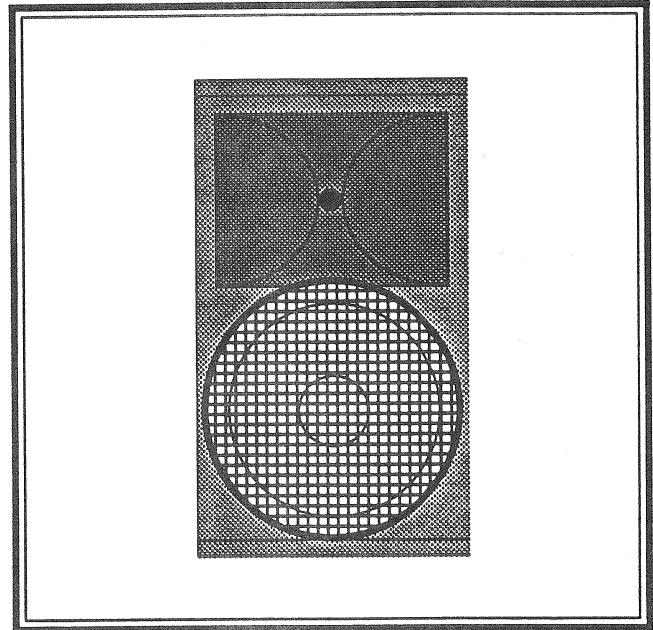


**JBL**

JBL SOUND POWER SERIES

4716A**COMPACT BI-RADIAL® SPEAKER SYSTEM**
PRELIMINARY SPECIFICATION SHEET**FEATURES:**

- ▶ Smooth, accurate response from 70 Hz to 17 kHz.
- ▶ High efficiency and power handling.
- ▶ Compact tapered cabinet design.
- ▶ Internal passive 1200 Hz dividing network.
- ▶ Tightly controlled 100° x 100° dispersion.
- ▶ Rugged and attractive finish.



The JBL Sound Power 4716A is a two-way loudspeaker system which combines superior sound reproduction and excellent coverage control with compact size. The 4716A is rugged enough to stand up to the abuse of touring, yet attractive enough for any stage or club environment.

Low frequencies are handled by a JBL 2123H 250 mm (10 in) high power, low distortion cone driver, while the high frequency section utilizes a JBL 2416H titanium diaphragm compression driver mounted on a 25 mm (1 in) throat, 100° x 100° JBL 2342 Bi-Radial horn. This combination of driver and horn in a ported enclosure results in smooth, extended frequency response with a high maximum output. For increased low frequency response below 100 Hz, the 4716A may be used with the Sound Power 4742A and 4782A sub-bass systems.

The 4716A's excellent performance specifications are not compromised by its small size, and are made possible, in part, by ports integrated into the high frequency horn. An integral passive dividing network with a crossover frequency of 1200 Hz eliminates the need for an external equalizer or electronic crossover.

The Sound Power 4716A is intended for installed sound in discotheques and other small to medium sized venues, or as a small, powerful stage monitor in live performance

applications. Its compact cabinet design allows it to be installed where space is limited, or to be used as a portable system mounted on an optional stand. Sound Power 4716A's can be used singly, in pairs, or with other components in the Sound Power line as part of a larger array. The vertical sides of the cabinet are angled inward by 15°, so that multiple 4716A's placed side-by-side form a compact cluster with uniform, wide angle vertical coverage of 100°, increasing in multiples of 30° horizontally.

Input to the 4716A is via a single 4-pin Neutrik Speakon™ socket. A second 4716A can be driven from the same source by means of a second loop-through socket, which will also provide signal to an optional sub-woofer. The solid cabinet is made from Finnish birch plywood, attractively finished in a durable dark grey, acid-hardened paint. The enclosure construction is enhanced by two large carrying handles, a protective metal grille for the bass driver, and an integral 35 mm pole mount on the cabinet base. The unique cut-out handle design eliminates the problems of easily damaged or rattling hardware. Optional MTA Series brackets are available for mounting the 4716A on a variety of surfaces, and the heavy-duty rear connector panel features a threaded insert to accept an M12 safety eyebolt.

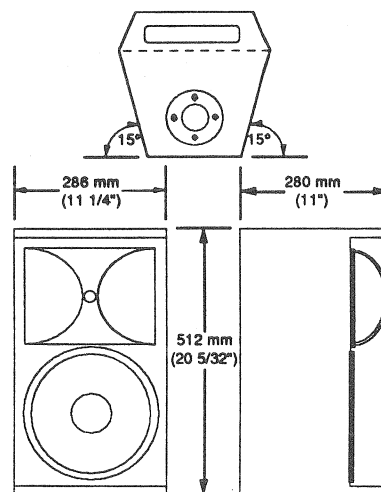
PRELIMINARY SPECIFICATIONS

Model 4716A

Components	1 – JBL 2123H low frequency transducer 1 – JBL 2342 Bi-Radial horn 1 – JBL 2416H compression driver
Frequency range (-10 dB)	70 Hz—19 kHz
Frequency response (± 3 dB)	100 Hz—15 kHz
Enclosure tuning	90 Hz
Sensitivity	95 dB (2.83 V, 1 m) [*]
Power capacity	300 W (IEC 268-5 shaped pink noise with 6 dB crest factor)
Maximum SPL (1 m, continuous program)	114 dB
Crossover frequency	1200 Hz
Coverage angles (-6 dB nominal)	100° horizontal 100° vertical
Nominal impedance	8 ohms
Connectors	2 – Neutrik Speakon NL4MPR
Dimensions	512 mm H x 286 mm W x 280 mm D (20 5/32" H x 11 1/4" W x 11" D)
Finish	Dark grey acid-hardened paint with black steel protective grille
Net Weight	18 kg (40 lbs)

Accessories:

MTA 19670	Tilt Adapter
MTA 21300	Crank-Up Stand
MTA 21336	Support Pole for use with 4742A/82A
MTA 21465	Heavy Duty Speaker Stand
MTA 24100	Light Duty Wall Bracket
MTA 24105	Double-Mount Adapter
MTA 24121	"U" Bracket
MTA 24127	Adapter: "U" Bracket to 35mm Pole Mount
NL4FC	Neutrik Speakon Cable Connector, 4-Pin
NL4MM	Neutrik Speakon Coupler, 4-Pin
3700-4	4-Wire Speaker Cable
3705-4	4-Wire Speaker Cable, 5 m, with NL4FC Connectors
3720-4	4-Wire Speaker Cable, 20 m, with NL4FC Connectors
4700APNT	Touch-Up Paint



^{*} 2.83 V is 1 W across an 8 ohm load.

JBL continually engages in research related to product improvement. New materials, production methods and design refinements are introduced into existing products without notice as a routine expression of that philosophy. For this reason, any current JBL product may differ in some respect from its published description but will always equal or exceed the original design specifications unless otherwise stated.

